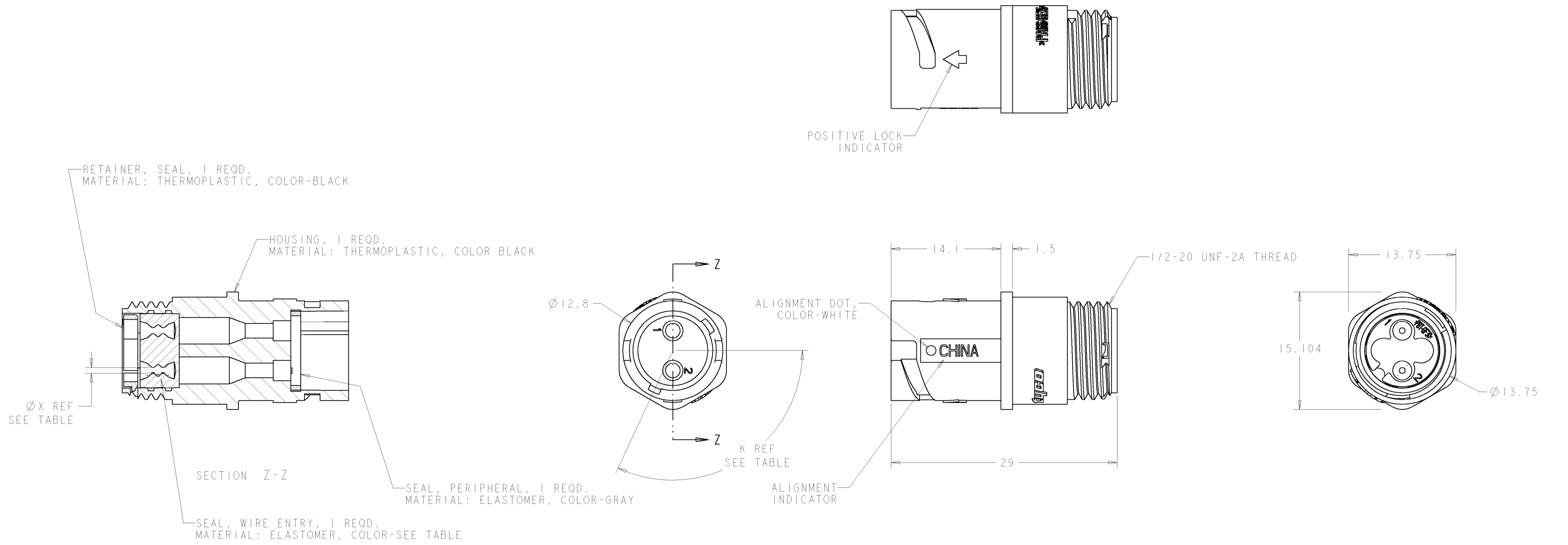


LOC	DIST	REVISIONS					
FT	0	P	LTR	DESCRIPTION	DATE	DWN	APVD
		A		RELEASED EC 0638-0362-03	12JUN2003	SW	HW
		B		REVISED EC 0638-0390-04	20MAY2004	SW	HW



QUALIFICATION TEST PENDING

YELLOW	Ø 0.75	130°	1445522-04
NATURAL	Ø 1.5	115°	1445522-03
NATURAL	Ø 1.5	130°	1445522-02
YELLOW	Ø 0.75	115°	1445522-01
SEAL, WIRE ENTRY COLOR	Ø X REF	K REF	PART NUMBER

DIMENSIONS: mm 		TOLERANCES UNLESS OTHERWISE SPECIFIED: 0 PLC ± 1 PLC ±0.5 2 PLC ±0.13 3 PLC ±0.013 4 PLC ±0.001 ANGLES ±		DWN S. WIEST 02MAY2001 ENR G. DOUITY 02MAY2001 APVD H. WAKEEM 12JUN2003		tyco Electronics Tyco Electronics Harrisburg, PA 17105-3608	
MATERIAL SEE CALLOUT		FINISH SEE CALLOUT		NAME ASSEMBLY, RECEPTACLE, SIZE 8, 2 POSITION, FREE HANGING, SEALED, MINI CPC		SIZE CAGE CODE DRAWING NO RESTRICTED TO A1 00779 C=1445522 -	
CUSTOMER DRAWING				WEIGHT -		SCALE 4:1 SHEET 1 OF 1 REV B	